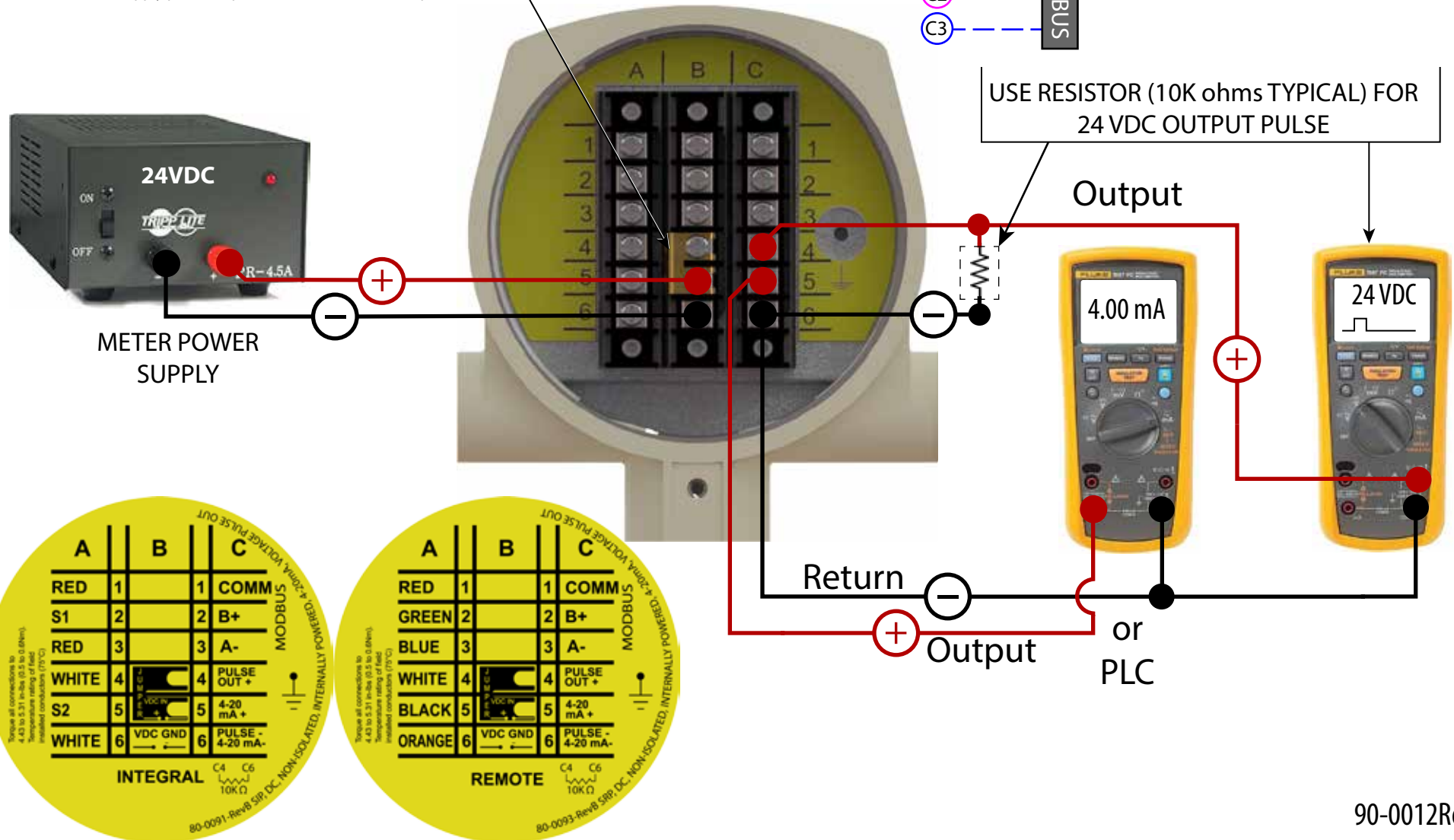




SAGE PRIME 4-20mA & VDC PULSE OUT 24 VDC

Standard PRIMES are shipped with a jumper between pins B4 & B5. This jumper provides +24 VDC to pin B4 to power the 4-20 mA and Pulse outputs. (Note: If isolated 4-20mA and / or pulse output is required, the jumper must be removed. A separate power supply must be used to supply power to pin B4 for these isolated outputs.)



Torque all connections to 4.43 to 5.31 in-lbs (0.5 to 0.6 Nm). Temperature rating of field installed conductors (75°C)

	A	B	C	
	RED 1		1	COMM
	S1 2		2	B+
	RED 3		3	A-
	WHITE 4		4	PULSE OUT +
	S2 5		5	4-20 mA +
	WHITE 6	VDC GND	6	PULSE - 4-20 mA-

INTEGRAL C4 C6 10KΩ

80-0091-RevB 58PP, DC, NON-ISOLATED, INTERNALLY POWERED, 4-20mA, VOLTAGE PULSE OUT

Torque all connections to 4.43 to 5.31 in-lbs (0.5 to 0.6 Nm). Temperature rating of field installed conductors (75°C)

	A	B	C	
	RED 1		1	COMM
	GREEN 2		2	B+
	BLUE 3		3	A-
	WHITE 4		4	PULSE OUT +
	BLACK 5		5	4-20 mA +
	ORANGE 6	VDC GND	6	PULSE - 4-20 mA-

REMOTE C4 C6 10KΩ

80-0093-RevB 58PP, DC, NON-ISOLATED, INTERNALLY POWERED, 4-20mA, VOLTAGE PULSE OUT