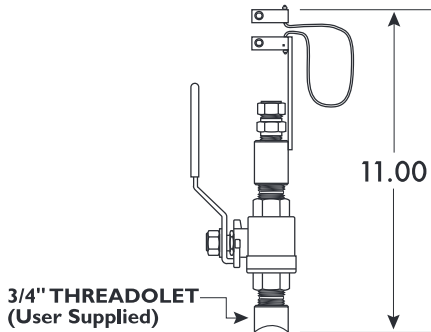


Mounting Hardware³

SVA05 SERIES ISOLATION VALVE ASSEMBLY FOR INSERTION METERS⁴

(for Low Pressure SVA05 see page 37)

Used for pressures to 250 psig¹ (shown for use with 1/2" diameter insertion meters). 150# or 300# flanged mounting is optionally available. Available sizes are 1/2" x 3/4" NPT (SVA05 shown), and 3/4" x 1" NPT for use with 3/4" diameter insertion meters (SVA07).

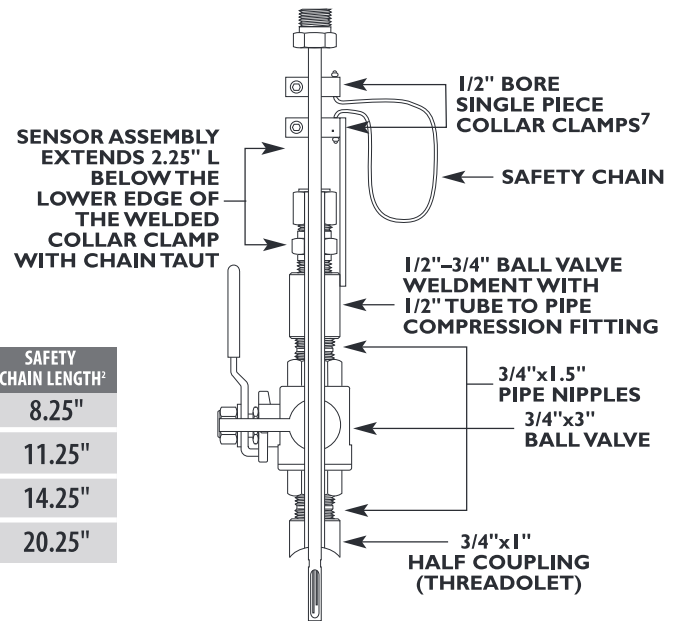


NOTE: User needs to weld a 3/4" female threadolet (of appropriate radius) to mate with existing pipe after a 3/4" hole has been drilled in pipe. The 3/4" Male Coupling of the Sage Isolation Valve Assembly will thread into the user's 3/4" threadolet.

PROBE LENGTH (with sensor)	SAFETY CHAIN LENGTH ²
12"	8.25"
15"	11.25"
18"	14.25"
24"	20.25"

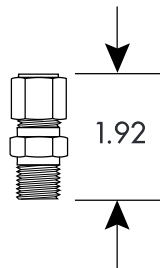
SVA05 SERIES ISOLATION VALVE ASSEMBLY DETAIL^{5,6}

Cut away view of probe inserted through isolation ball valve assembly.

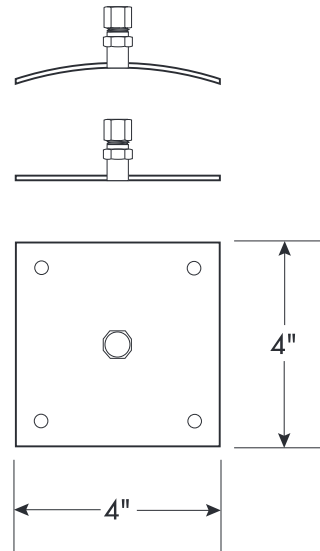


STCF SERIES TEFLON FERRULE COMPRESSION FITTING

1/2" tube x 1/2" pipe fitting (shown, not to scale), is used for low pressure insertion applications to 125 psig (Stainless Steel Ferrule optional for higher pressure applications – up to 225 psig). Also available in 3/4" tube x 3/4" pipe size.

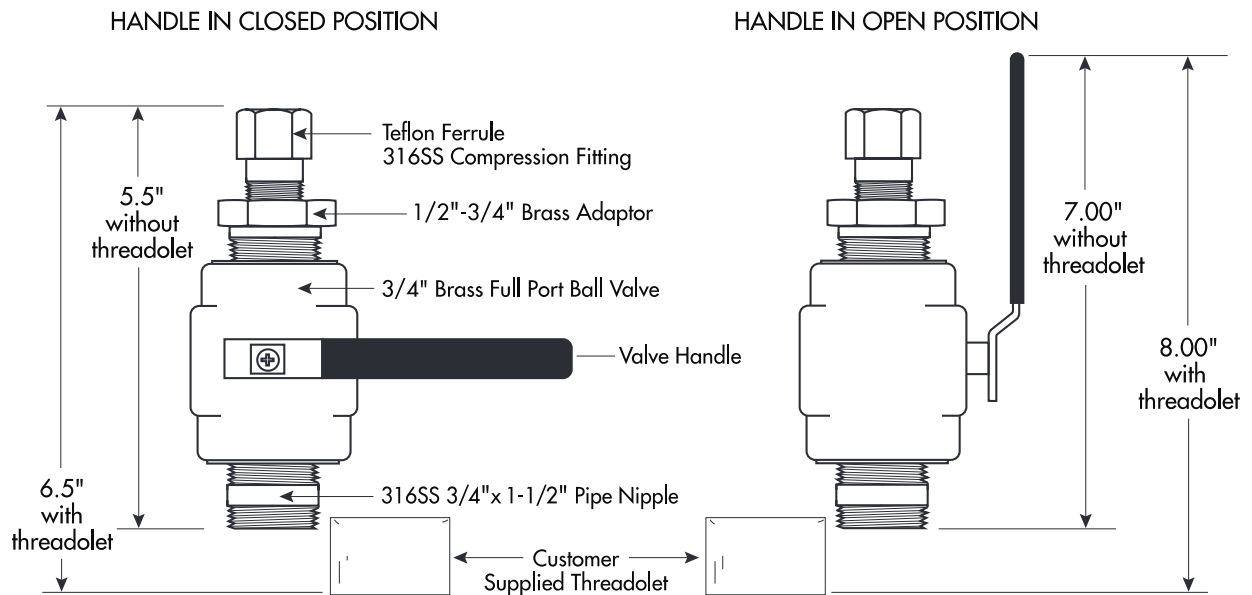


MOUNTING PLATE FOR THIN WALLED DUCTS (INCLUDES STCF05 COMPRESSION FITTING)



¹ At 250 psig, force exerted on 1/2" diameter probe is 50 lbs
² Safety chain is designed to prevent probe from accidentally escaping from assembly during removal from pressurized pipe
³ Insertion meters can have optional flanged mounting (generally used for high pressure or very hot gases). This adaptation is not shown. Consult factory for details.
⁴ Maximum gas temperature, 200F, unless high temperature models ordered.
⁵ Hot Tapping is feasible by removing Weldment (upper portion of assembly temporarily removed)
⁶ See page 44. SVA05 can be utilized for Sensor Functionality and Zero Self Check.
⁷ The allen wrench for SVA05 is 3/16" (it is 3/8" for SVA07).

SVA05LP Low Pressure Isolation Valve Assembly



NOTES AND CAUTIONS

- Suitable for low pressure Air or Natural Gas applications (maximum 50 PSIG)
- Assumes 1/2" Insertion Probe inserted to center of a Pipe (see Sage Probe Insertion Guidelines)
- Teflon Ferrule permits ease of Probe insertion or removal
- Exercise caution when loosening Ferrule nut during insertion and removal of Probe, since this model has no Safety Chain
- Note, maximum upward force is 20% of pipe pressure (i.e., 10 Lbs with 50 PSIG)
- The Assembly will be shipped with a plastic sleeve that protects the 3/4" pipe nipple
- It is the Customer's responsibility to weld a Female Threadolet with correct diameter to pipe